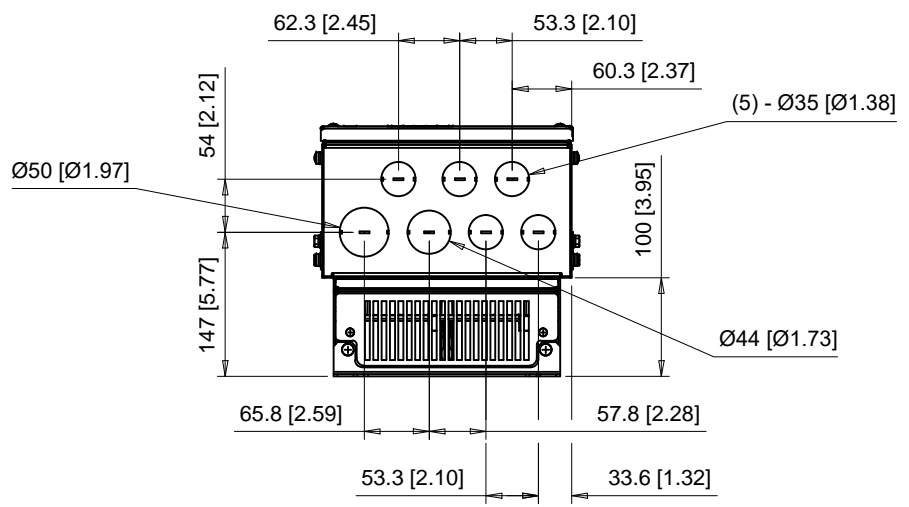


Detail A
Top mounting hole dimensions
Scale 1:1



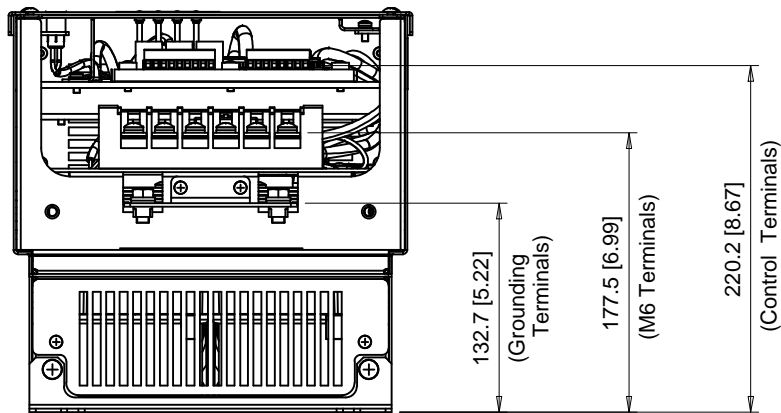
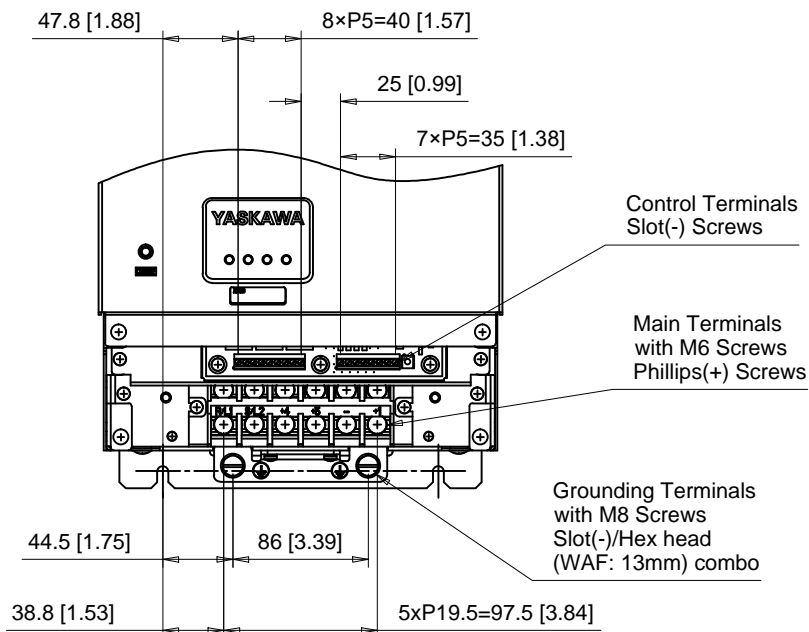
The dimensions shown are for an IP00 Type Converter that has been converted to a NEMA Type 1 Converter by adding the parts from NEMA 1 Kit part number UUX001686

C/C: SPBC-	INPUT VOLTAGE 1-PHASE (VAC)	OUTPUT CAPACITY (kW)	WEIGHT Kg (lb)	COOLING FANS	HEAT LOSS (W)		
					INT	EXT	TOT
2015□□□	230 TO 240	15	20.5 (45.2)	2	125	352	477
2022□□□		22	20.5 (45.2)	2	156	539	695
4022□□□	460 TO 480	22	19.5 (43.0)	2	115	389	504
4030□□□		30	19.5 (43.0)	2	141	504	645

□ denotes A-Z

INT=Internal Components
EXT=External Heatsink
TOT=Total

Terminal and Wiring Information for SPBC-2015, SPBC-4022 and SPBC-4030



C/C: SPBC-	TERMINAL SYMBOL	WIRE RANGE AWG (mm ²)	TERMINAL SCREW	CLAMPING TORQUE N.m. (lb.in.)
2015□□□	R/L1, S/L2, +4, +5, -, +1	22 - 2 (0.33 - 33.6)	M6	5.4 - 6.0 (47.8 - 53.1)
4022□□□			M8	9.0 - 11.0 (79.7 - 97.4)
4030□□□	⊕	8 - 6 (10 - 16)		

□ Denotes A-Z

Note: Refer to applicable codes and standards for proper wire type and size.

YASKAWA

UNITS MM [IN]
SCALE 1:5

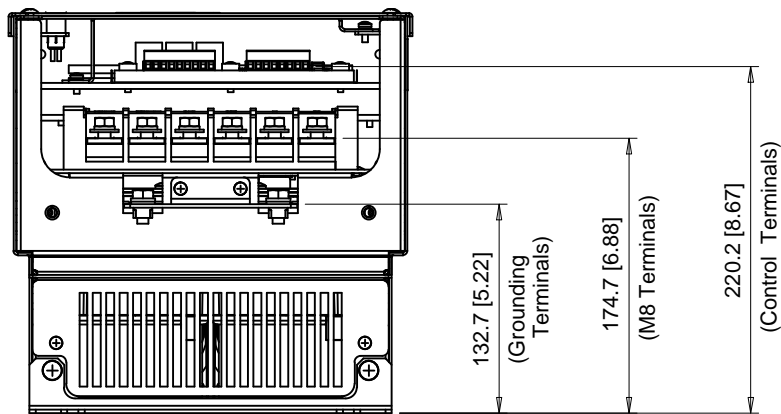
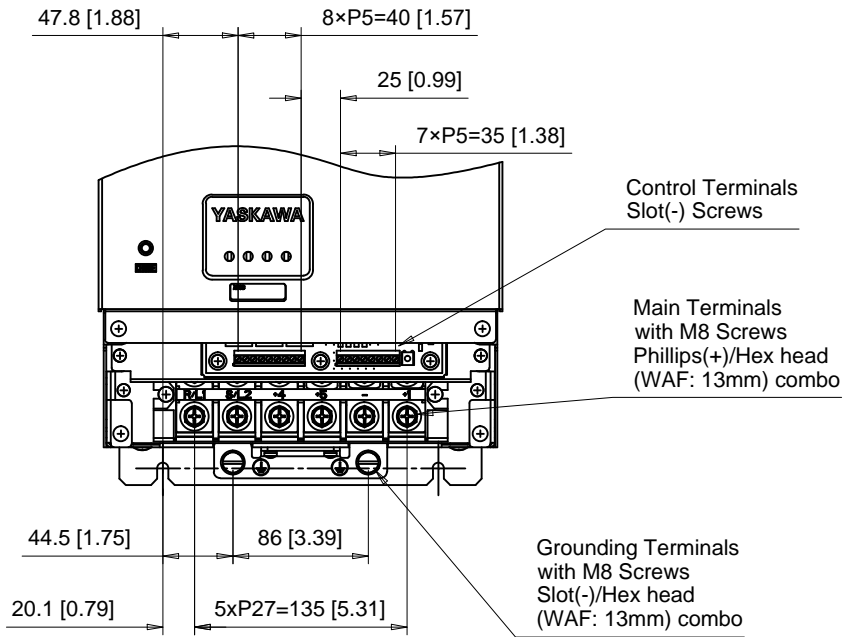
DRWN. J. MATTAS 8-8-18
CHKD. J. PIOTROWSKI 8-23-18
TECH. L. UDDIN 8-30-18
APRV. J. CAIRO 9-10-18

TITLE
SPBC DIMENSION DRAWING
FRAME SIZE 1
NEMA TYPE 1 ENCLOSURE

SIZE A PAGE 2 OF 4
DWG.NO.
DD.SPBC.FR1.N1

REV
0

Terminal and Wiring Information for SPBC-2022

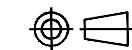


C/C: SPBC-	TERMINAL SYMBOL	WIRE RANGE AWG (mm ²)	TERMINAL SCREW	CLAMPING TORQUE N.m. (lb.in.)
2022□□□	R/L1, S/L2, +4, +5, -, +1	8 - 2/0 (8.4 - 67.4)	M8	9.0 - 11.0 (79.7 - 97.4)
	⊙	4 (25)	M8	9.0 - 11.0 (79.7 - 97.4)

□ Denotes A-Z

Note: Refer to applicable codes and standards for proper wire type and size.

YASKAWA



UNITS MM [IN]

SCALE 1:6

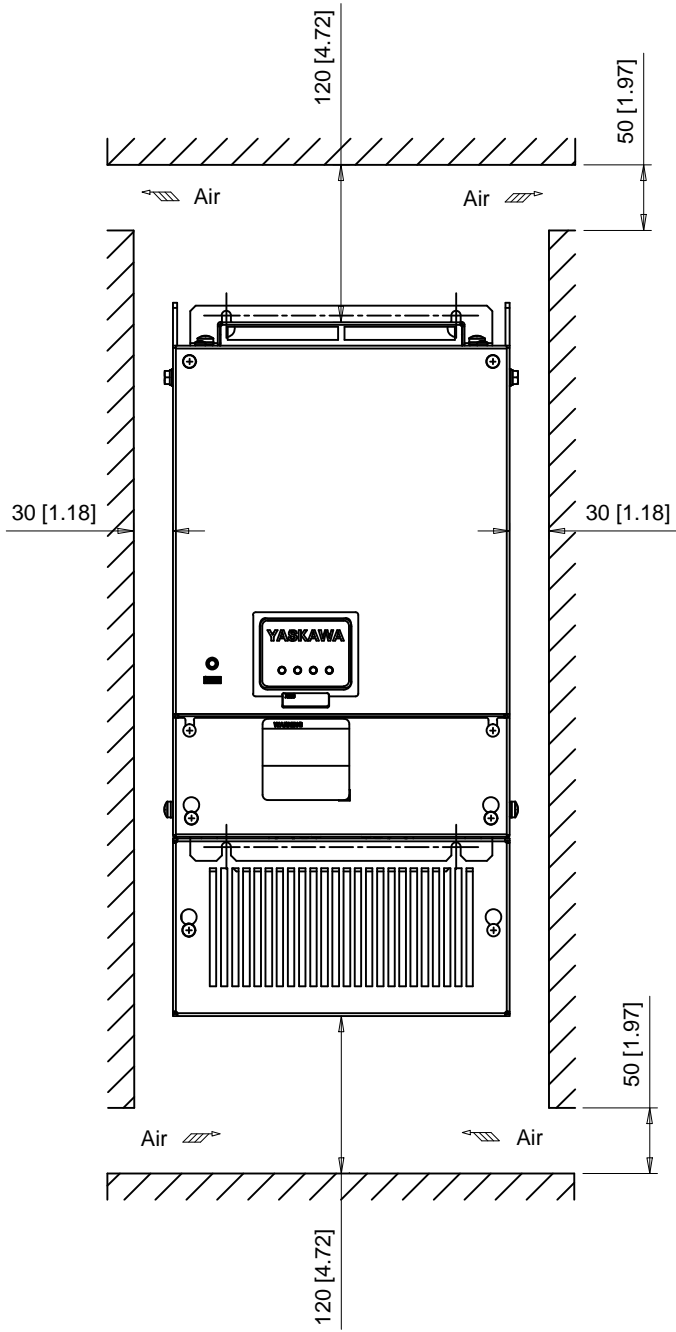
DRWN.	J. MATTAS	8-8-18
CHKD.	J. PIOTROWSKI	8-23-18
TECH.	L. UDDIN	8-30-18
APRV.	J. CAIRO	9-10-18

TITLE
SPBC DIMENSION DRAWING
FRAME SIZE 1
NEMA TYPE 1 ENCLOSURE

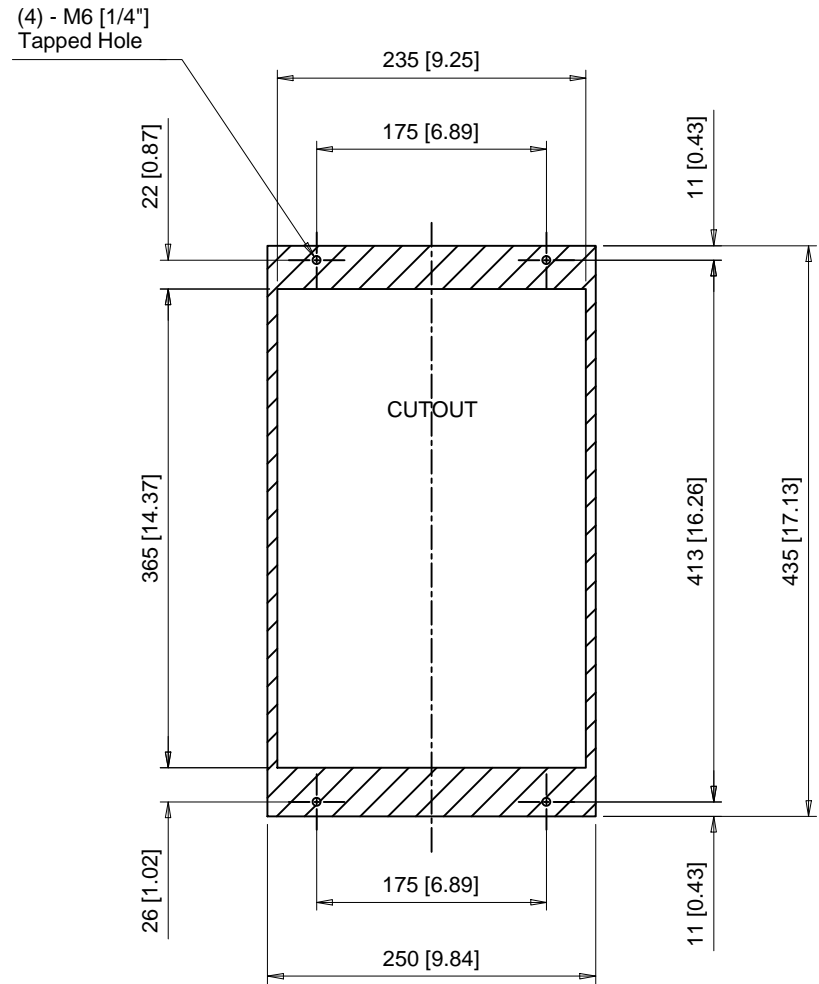
SIZE A PAGE 3 OF 4
DWG.NO.
DD.SPBC.FR1.N1

REV
0

Minimum Installation Clearances

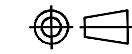


Panel Cutout
For External Heatsink Mounting Configuration



Notes:
Exposed heatsink minimum clearance D = 105 [4.13].

YASKAWA



UNITS MM [IN]

SCALE 1:6

DRWN.	J. MATTAS	8-8-18
CHKD.	J. PIOTROWSKI	8-23-18
TECH.	L. UDDIN	8-30-18
APRV.	J. CAIRO	9-10-18

TITLE
SPBC DIMENSION DRAWING
FRAME SIZE 1
NEMA TYPE 1 ENCLOSURE

SIZE A PAGE 4 OF 4
DWG.NO.
DD.SPBC.FR1.N1

REV
0